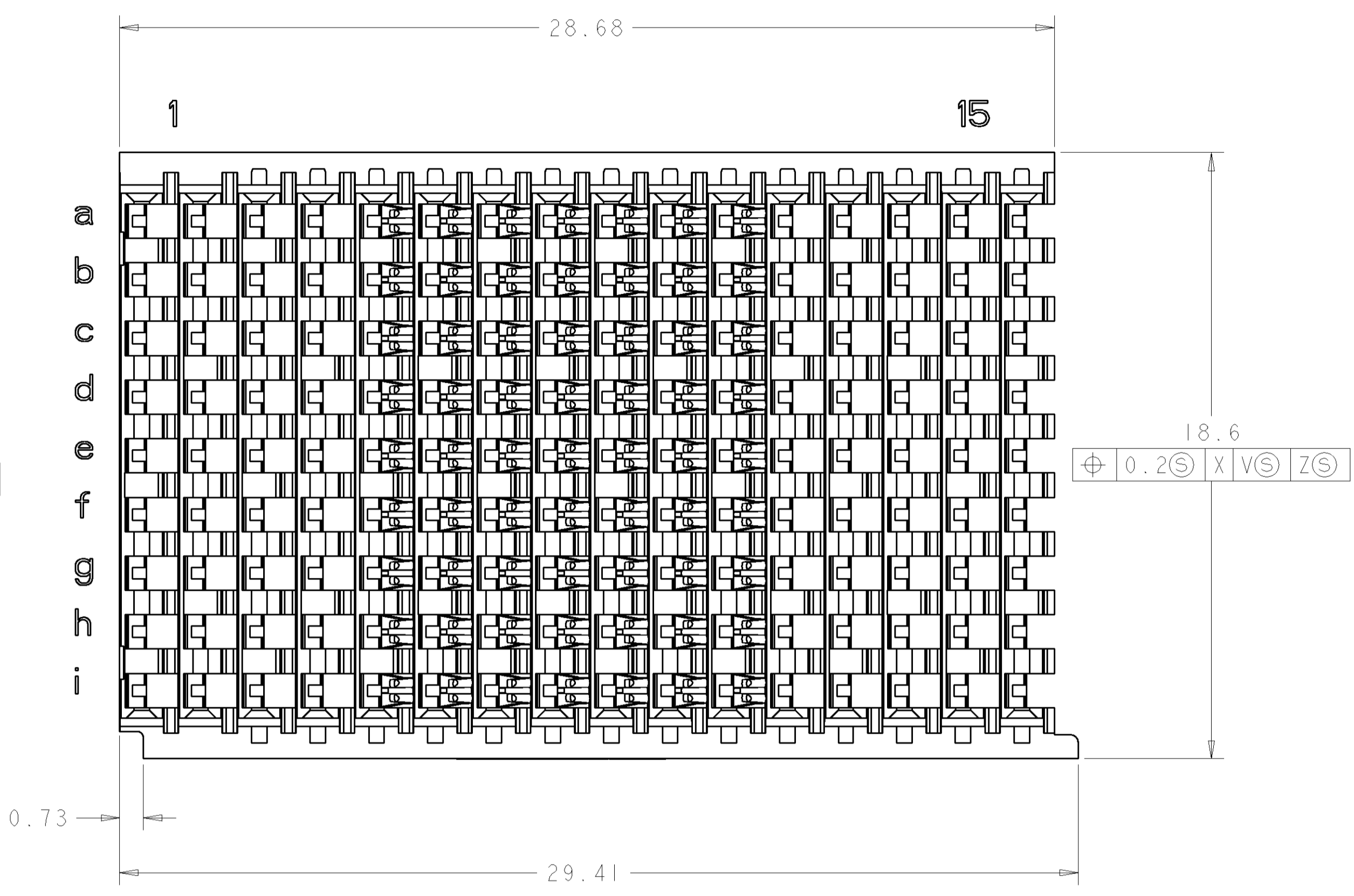
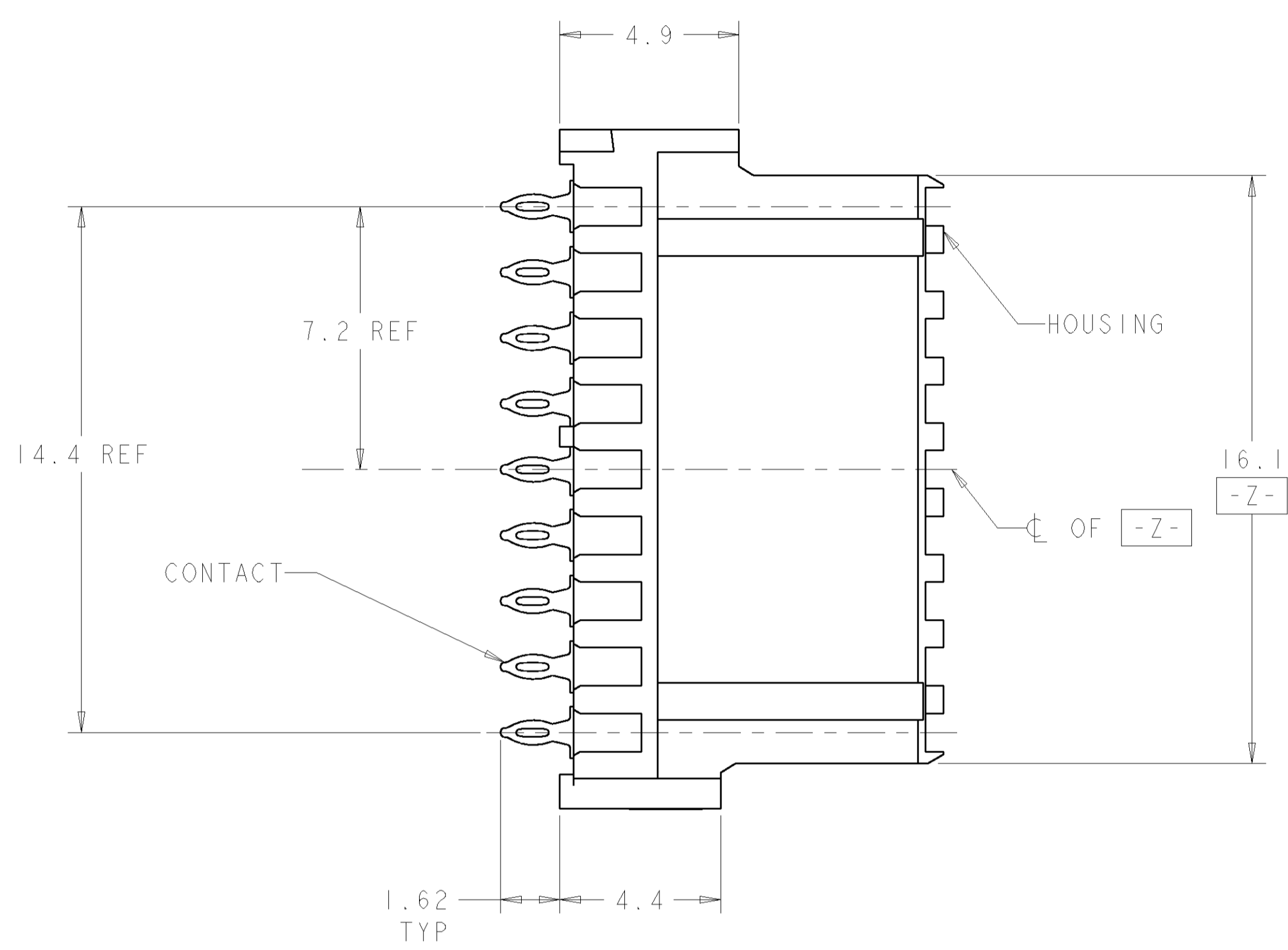
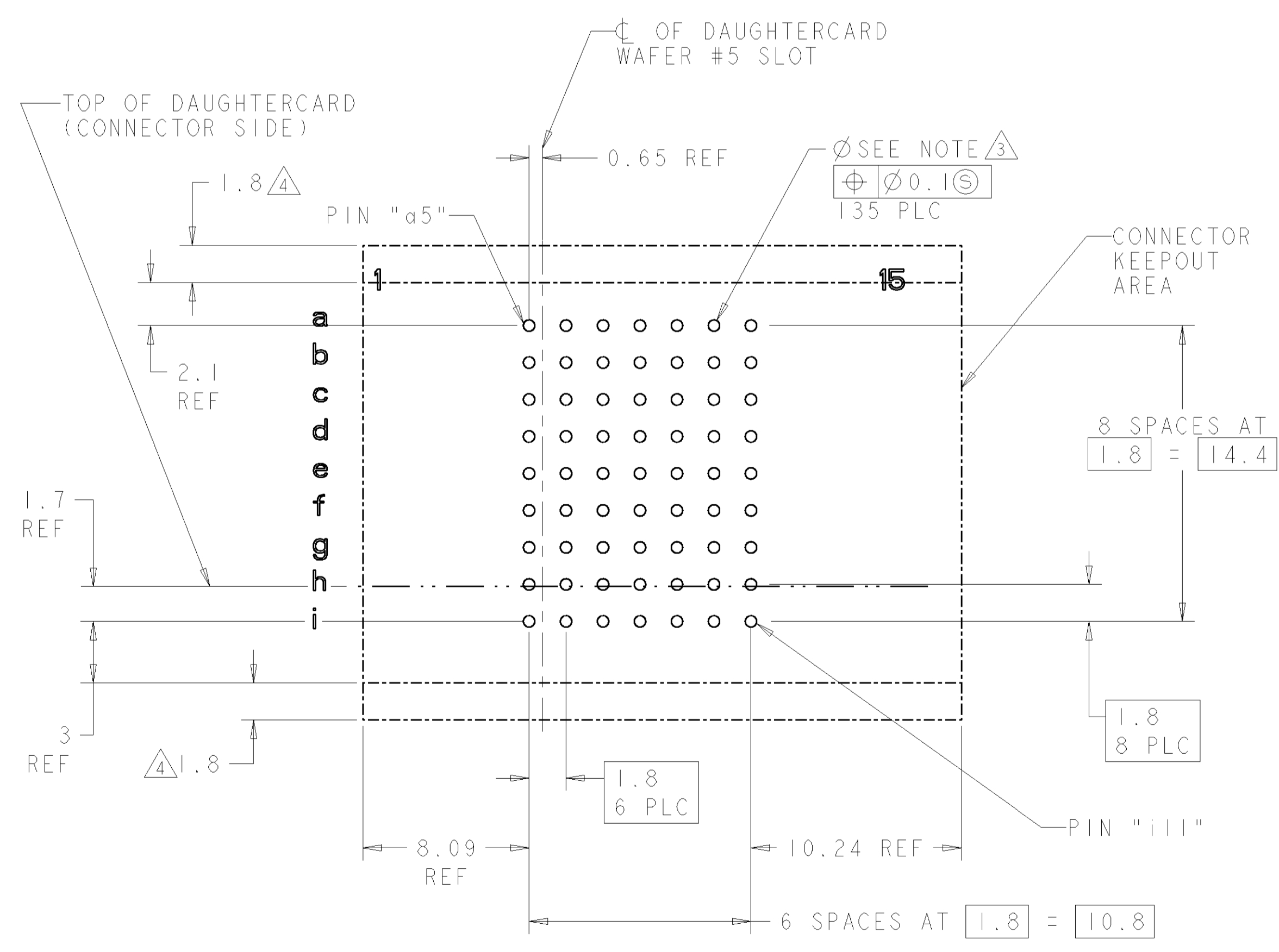


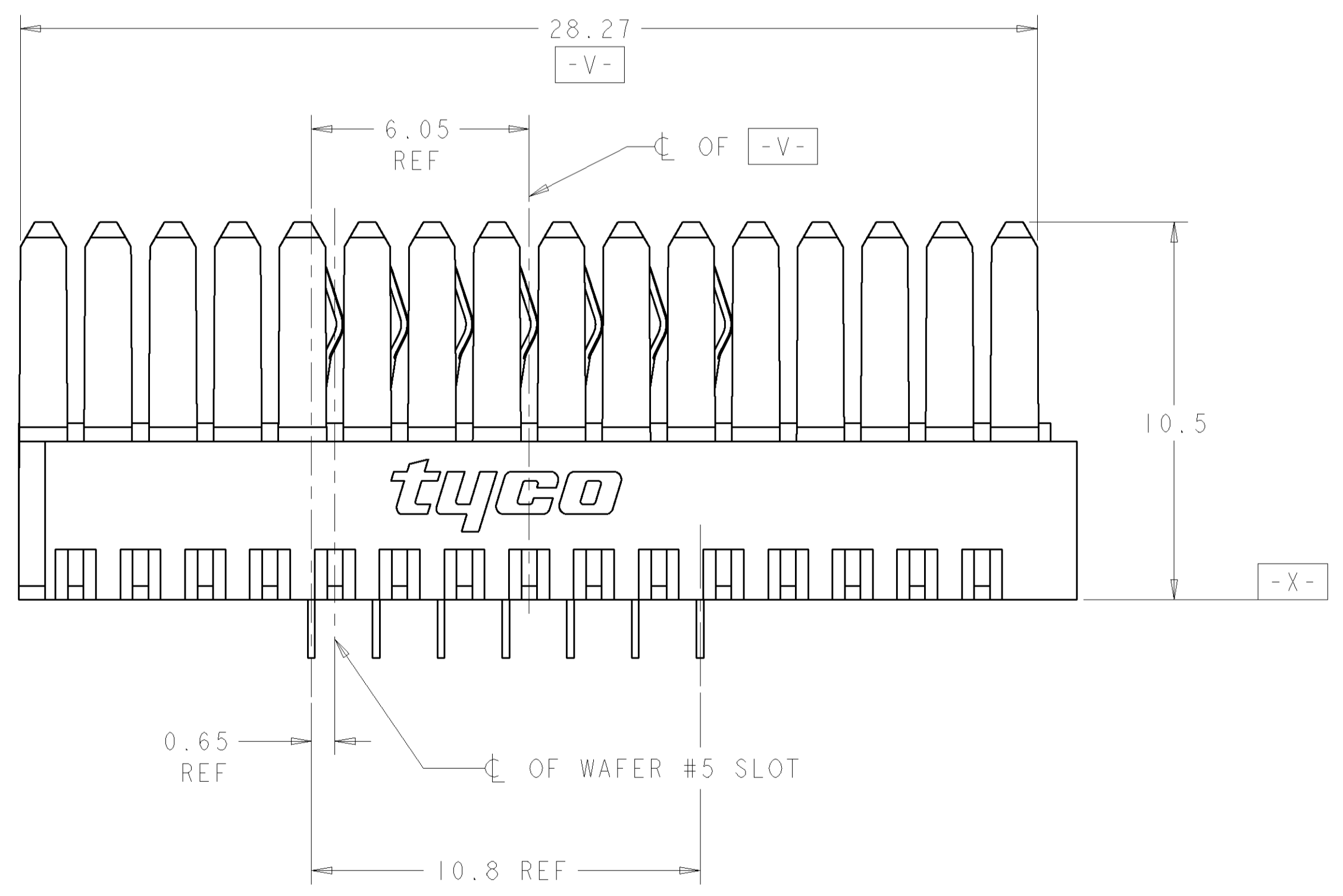
| LOC | DIST | REVISIONS |     |                      |           |     |      |
|-----|------|-----------|-----|----------------------|-----------|-----|------|
| GP  | 00   | P         | LTR | DESCRIPTION          | DATE      | DWN | APVD |
|     |      | 1         |     | PROPOSED             | 28JUN2006 | BC  | GG   |
|     |      | A         |     | REV PER ECO-06-02794 | 30NOV2006 | RT  | GG   |



- △ HOUSING: LCP, UL94V0, COLOR: BLACK.  
CONTACT: PHOSPHOR BRONZE.
- △ FINISH: 1.27µm GOLD IN CONTACT AREA 1.27µm MIN. TIN-LEAD ON PCB TAIL OVER 3.81µm MIN. NICKEL OVER ALL.
- △ MANUFACTURING TOLERANCE FOR  $\varnothing 0.56 \pm 0.05$  DIAMETER FINISHED HOLE WITH Sn /PB PLATING:  
 DRILLED HOLE =  $\varnothing 0.65 \pm 0.02$   
 COPPER PLATING = 0.025-0.050  
 Sn PB PLATING = 0.0038-0.0124  
 OR  
 MANUFACTURING TOLERANCE FOR  $\varnothing 0.575 \pm 0.05$  DIAMETER FINISHED HOLE WITHOUT Sn /PB PLATING:  
 DRILLED HOLE =  $\varnothing 0.65 \pm 0.02$   
 COPPER PLATING = 0.025-0.050
- △ ADDITIONAL CONNECTOR-SIDE KEEPOUT AREA REQUIRED IF CONNECTOR-SIDE EXTRACTION TOOL IS TO BE USED.



PC BOARD LAYOUT (CONNECTOR SIDE)  
SCALE 5:1



|                                 |           |
|---------------------------------|-----------|
| FOR USE WITH DAUGHTERCARDS ONLY | 1410992-3 |
| NOTES                           | PART NO   |

|  |  |   |  |
|--|--|---|--|
| DIMENSIONS: mm<br>TOLERANCES UNLESS OTHERWISE SPECIFIED:<br>0 PLC ±<br>1 PLC ±0.5<br>2 PLC ±0.13<br>3 PLC ±<br>4 PLC ±<br>ANGLES ±1° |  | DWN: B CARBO 28JUN2006<br>ENR: G GRIFFITH 28JUN2006<br>APVD: G GRIFFITH 28JUN2006<br>PRODUCT SPEC: 108-2072<br>APPLICATION SPEC: 114-13056<br>WEIGHT: -<br>CUSTOMER DRAWING | Tyco Electronics<br>Harrisburg, PA 17105-3608<br>NAME: CONNECTOR ASSEMBLY, BACKPLANE, 15 COLUMN W/7 COLUMNS, VERTICAL RECEPTACLE, CENTER 20.3mm, MultiGig RT 2<br>SIZE: A1<br>CAGE CODE: 00779<br>DRAWING NO: 1410992<br>SCALE: 8:1<br>SHEET: 1 OF 1<br>REV: A |
|--|--|---|--|